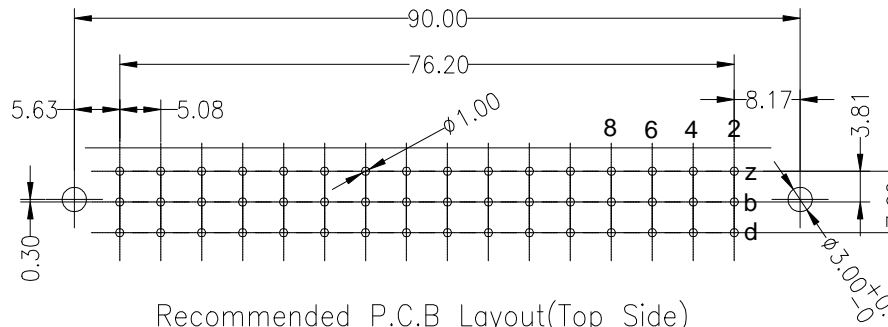
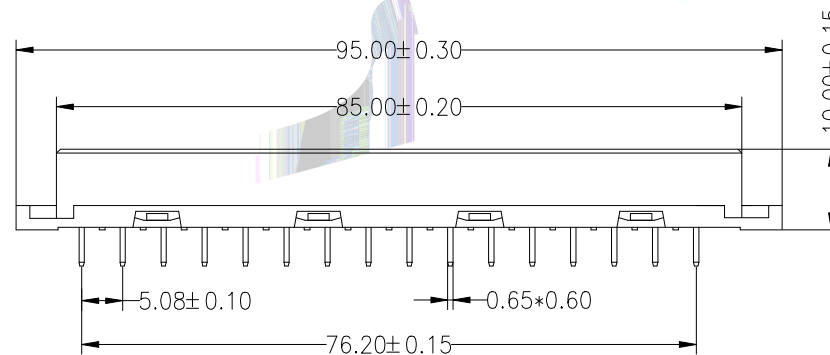
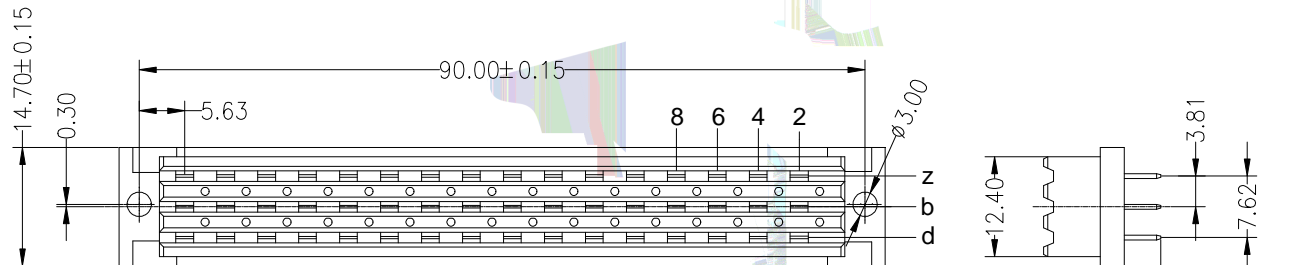


HSF RoHS

SPECIFICATIONS

Current rating: 5.6AMP.
 Contact resistance: 15mΩ max. at 100mA DC
 Insulation resistance: 1000 MΩ min. at 500V DC
 Dielectric withstanding voltage: 1500V AC For 1minute
 Operating temperature: -55°C TO +125°C

Contact Material: Copper Alloy
 Contact Plating: Au or Sn Over Ni
 Insulator Material: Polyester(UL94V-0)
 Standard: PBT
 Max.Processing Temp: 245°C±5°C For 5 Second



Recommended P.C.B Layout(Top Side)
 (PCB BOARD TOLERANCE± 0.05)

Ordering Information

3513 3 48 A F S XX B N AX

No. of Pins
48PIN

Contact Type
F=Female

Contact Plating
 G0:Gold Flash
 S0:Gold Flash/Tin
 S1:3U" Gold/Tin
 S2:5U" Gold/Tin
 S3:10U" Gold/Tin
 S4:15U" Gold/Tin
 S5:30U" Gold/Tin
 SN:Tin

Stream Code

				OPERATION		DRAW	Jelly Feng	2023.03.29	SCALE	FIT	JILN ® 深圳市锦凌电子有限公司 SHENZHEN JINLING ELECTRONICS CO.,LTD Tel: 86-755-27483253 Fax: 86-755-2997-5588	
				X.X	±0.30				UNIT	mm		
				X.XX	±0.20	CHECK			SIZE	A4	PART NO. 351348AFSXXBNAX	
				X.XXX	±0.10				SHEET	1/1		
A0	2023.03.29	NEW DRAWING		Angle	±3°	APPROVE			PROJ.		TITLE:	DIN 41612 of 5.08mm pitch large current F-type low plastic
REV	DATE	MODIFICATION DESCRIPTION		DIM	TOL							

1

2

3

4

5

6

7

8

9